

Note that there is no running head on a student paper.

**Note:** Green text boxes contain explanations of APA 7's paper formatting guidelines...

...while blue text boxes contain directions for writing and citing in APA 7.

Page numbers begin on the first page and follow on every subsequent page without interruption. No other information (e.g., authors' last names) is required.

1

## **Branching Paths: A Novel Teacher Evaluation Model for Faculty Development**

James P. Bavis and Ahn G. Nu

Department of English, Purdue University

ENGL 101: Course Name

Dr. Richard Teeth

Jan. 30, 2020

The paper's title should be centered, bold, and written in title case. It should be three or four lines below the top margin of the page. In this sample paper, we've put three blank lines above the title.

Authors' names appear two lines below the title. They should be written as follows:  
First name, middle initial(s), last name.

Authors' affiliations follow immediately after their names. For student papers, these should usually be the department containing the course for which the paper is being written.

Follow authors' affiliations with the number and name of the course, the instructor's name and title, and the assignment's due date.

Student papers do not contain an author's note.

Note again that no running head appears on student papers.

Note that the page number continues on the pages that follow the title.

The word "Abstract" should be centered and bolded at the top of the page.

**Abstract**

The main paragraph of the abstract should not be indented.

A large body of assessment literature suggests that students' evaluations of their teachers (SETs) can fail to measure the construct of teaching in a variety of contexts. This can compromise faculty development efforts that rely on information from SETs. The disconnect between SET results and faculty development efforts is exacerbated in educational contexts that demand particular teaching skills that SETs do not value in proportion to their local importance (or do not measure at all). This paper responds to these challenges by proposing an instrument for the assessment of teaching that allows institutional stakeholders to define the teaching construct in a way they determine to suit the local context. The main innovation of this instrument relative to traditional SETs is that it employs a branching "tree" structure populated by binary-choice items based on the Empirically derived, Binary-choice, Boundary-definition (EBB) scale developed by Turner and Upshur for ESL writing assessment. The paper argues that this structure can allow stakeholders to define the teaching construct by changing the order and sensitivity of the nodes in the tree of possible outcomes, each of which corresponds to a specific teaching skill. The paper concludes by outlining a pilot study that will examine the differences between the proposed EBB instrument and a traditional SET employing series of multiple-choice questions (MCQs) that correspond to Likert scale values.

By standard convention, abstracts do not contain citations of other works. If you need to refer to another work in the abstract, mentioning the authors in the text can often suffice. Note also that some institutions and publications may allow for citations in the abstract.

*Keywords:* college teaching, student evaluations of teaching, scale development, EBB scale, pedagogies, educational assessment, faculty development

An abstract quickly summarizes the main points of the paper that follows it. The APA 7 manual does not give explicit directions for how long abstracts should be, but it does note that most abstracts do not exceed 250 words (p. 38). It also notes that professional publishers (like academic journals) may have a variety of rules for abstracts, and that writers should typically defer to these.

Follow the abstract with a selection of keywords that describe the important ideas or subjects in your paper. These help online readers search for your paper in a database. The keyword list should have its first line indented. Begin the list with the label "Keywords:" (note the italics and the colon). Follow this with a list of keywords written in lowercase (except for proper nouns) and separated by commas. Do not place a period at the end of the list.

**Note:** Past this point, the student paper and professional papers are virtually identical, besides the absence of a running head in the student paper.

The paper's title is bolded and centered above the first body paragraph. There should be no "Introduction" header.

### **Branching Paths: A Novel Teacher Evaluation Model for Faculty Development**

According to Theall (2017), "Faculty evaluation and development cannot be considered separately ... evaluation without development is punitive, and development without evaluation is guesswork" (p. 91). As the practices that constitute modern programmatic faculty development have evolved from their humble beginnings to become a commonplace feature of university life (Lewis, 1996), a variety of tactics to evaluate the proficiency of teaching faculty for development purposes have likewise become commonplace. These include measures as diverse as peer observations, the development of teaching portfolios, and student evaluations.

One such measure, the student evaluation of teacher (SET), has been virtually ubiquitous since at least the 1990s (Wilson, 1998). Though records of SET-like instruments can be traced to work at Purdue University in the 1920s (Remmers & Brandenburg, 1927), most modern histories of faculty development suggest that their rise to widespread popularity went hand-in-hand with the birth of modern faculty development programs in the 1970s, when universities began to adopt them in response to student protest movements criticizing mainstream university curricula and approaches to instruction (Gaff & Simpson, 1994; Lewis, 1996; McKeachie, 1996). By the mid-2000s, researchers had begun to characterize SETs in terms like "...the predominant measure of university teacher performance [...] worldwide" (Pounder, 2007, p. 178). Today, SETs play an important role in teacher assessment and faculty development at most universities (Davis, 2009). Recent SET research practically takes the presence of some form of this assessment on most campuses as a given. Spooen et al. (2017), for instance, merely note that that SETs can be found at "almost every institution of higher education throughout the world" (p. 130). Similarly, Darwin (2012) refers to teacher evaluation as an established orthodoxy, labeling it a "venerated," "axiomatic" institutional practice (p. 733).

Moreover, SETs do not only help universities direct their faculty development efforts. They have also come to occupy a place of considerable institutional importance for their role in

Here, we've borrowed a quote from an external source, so we need to provide the location of the quote in the document (in this case, the page number) in the parenthetical.

By contrast, here, we've merely paraphrased an idea from the external source. Thus, no location or page number is required.

Spell out abbreviations the first time you use them, except in cases where the abbreviations are very well-known (e.g., "CIA").

For sources with two authors, use an ampersand (&) between the authors' names rather than the word "and."

When listing multiple citations in the same parenthetical, list them alphabetically and separate them with semicolons.



Here, we've made an *indirect* or *secondary* citation (i.e., we've cited a source that we found cited in a different source). Use the phrase "as cited in" in the parenthetical to indicate that the first-listed source was referenced in the second-listed one. Include an entry in the reference list **only for the secondary source** (Pounder, in this case).

personnel considerations, informing important decisions like hiring, firing, tenure, and promotion. Seldin (1993, as cited in Pounder, 2007) finds that 86% of higher educational institutions use SETs as important factors in personnel decisions. A 1991 survey of department chairs found 97% used student evaluations to assess teaching performance (US Department of Education). Since the mid-late 1990s, a general trend towards comprehensive methods of teacher evaluation that include multiple forms of assessment has been observed (Berk, 2005). However, recent research suggests the usage of SETs in personnel decisions is still overwhelmingly common, though hard percentages are hard to come by, perhaps owing to the multifaceted nature of these decisions (Boring et al., 2017; Galbraith et al., 2012). In certain contexts, student evaluations can also have ramifications beyond the level of individual instructors. Particularly as public schools have experienced pressure in recent decades to adopt neoliberal, market-based approaches to self-assessment and adopt a student-as-consumer mindset (Darwin, 2012; Marginson, 2009), information from evaluations can even feature in department- or school-wide funding decisions (see, for instance, the Obama Administration's Race to the Top initiative, which awarded grants to K-12 institutions that adopted value-added models for teacher evaluation).

Here, we've cited a source that does not have a named author. The corresponding reference list entry would begin with "US Department of Education."

Sources with three authors or more are cited via the first-listed author's name followed by the Latin phrase "et al." Note that the period comes after "al," rather than "et."

However, while SETs play a crucial role in faculty development and personnel decisions for many education institutions, current approaches to SET administration are not as well-suited to these purposes as they could be. This paper argues that a formative, empirical approach to teacher evaluation developed in response to the demands of the local context is better-suited for helping institutions improve their teachers. It proposes the Heavilon Evaluation of Teacher, or HET, a new teacher assessment instrument that can strengthen current approaches to faculty development by making them more responsive to teachers' local contexts. It also proposes a pilot study that will clarify the differences between this new instrument and the Introductory Composition at Purdue (ICaP) SET, a more traditional instrument used for similar purposes. The results of this study will direct future efforts to refine the proposed instrument.

**Note:** For the sake of brevity, the next page of the original paper was cut from this sample document.

Methods section, which follows, will propose a pilot study that compares the results of the proposed instrument to the results of a traditional SET (and will also provide necessary background information on both of these evaluations). The paper will conclude with a discussion of how the results of the pilot study will inform future iterations of the proposed instrument and, more broadly, how universities should argue for local development of assessments.

## Literature Review ←

Second-level headings are flush left, bolded, and written in title case.

### *Effective Teaching: A Contextual Construct* ←

Third level headings are flush left, bolded, written in title case, and italicized.

The validity of the instrument this paper proposes is contingent on the idea that it is possible to systematically measure a teacher's ability to teach. Indeed, the same could be said for virtually all teacher evaluations. Yet despite the exceeding commonness of SETs and the faculty development programs that depend on their input, there is little scholarly consensus on precisely what constitutes "good" or "effective" teaching. It would be impossible to review the entire history of the debate surrounding teaching effectiveness, owing to its sheer scope—such a summary might need to begin with, for instance, Cicero and Quintilian. However, a cursory overview of important recent developments (particularly those revealed in meta-analyses of empirical studies of teaching) can help situate the instrument this paper proposes in relevant academic conversations.

Fourth-level headings are bolded and written in title case. They are also indented and written in-line with the following paragraph.

**Meta-analysis 1.** One core assumption that undergirds many of these conversations is the notion that good teaching has effects that can be observed in terms of student achievement. A meta-analysis of 167 empirical studies that investigated the effects of various teaching factors on student achievement (Kyriakides et al., 2013) supported the effectiveness of a set of teaching factors that the authors group together under the label of the "dynamic model" of teaching. Seven of the eight factors (Orientation, Structuring, Modeling, Questioning, Assessment, Time Management, and Classroom as Learning Environment) corresponded to moderate average effect sizes (of between 0.34–0.41 standard deviations) in measures of

When presenting decimal fractions, put a zero in front of the decimal if the quantity is something that can exceed one (like the number of standard deviations here). Do not put a zero if the quantity cannot exceed one (e.g., if the number is a proportion).

student achievement. The eighth factor, Application (defined as seatwork and small-group tasks oriented toward practice of course concepts), corresponded to only a small yet still significant effect size of 0.18. The lack of any single decisive factor in the meta-analysis supports the idea that effective teaching is likely a multivariate construct. However, the authors also note the context-dependent nature of effective teaching. Application, the least-important teaching factor overall, proved more important in studies examining young students (p. 148). Modeling, by contrast, was especially important for older students.

**Meta-analysis 2.** A different meta-analysis that argues for the importance of factors like clarity and setting challenging goals (Hattie, 2009) nevertheless also finds that the effect sizes of various teaching factors can be highly context-dependent. For example, effect sizes for homework range from 0.15 (a small effect) to 0.64 (a moderately large effect) based on the level of education examined. Similar ranges are observed for differences in academic subject (e.g., math vs. English) and student ability level. As Snook et al. (2009) note in their critical response to Hattie, while it is possible to produce a figure for the average effect size of a particular teaching factor, such averages obscure the importance of context.

**Meta-analysis 3.** A final meta-analysis (Seidel & Shavelson, 2007) found generally small average effect sizes for most teaching factors—organization and academic domain-specific learning activities showed the biggest cognitive effects (0.33 and 0.25, respectively). Here, again, however, effectiveness varied considerably due to contextual factors like domain of study and level of education in ways that average effect sizes do not indicate.

These pieces of evidence suggest that there are multiple teaching factors that produce measurable gains in student achievement and that the relative importance of individual factors can be highly dependent on contextual factors like student identity. This is in line with a well-documented phenomenon in educational research that complicates attempts to measure teaching effectiveness purely in terms of student achievement. This is that “the largest source of variation in student learning is attributable to differences in what students bring to school - their

abilities and attitudes, and family and community” (McKenzie et al., 2005, p. 2). Student achievement varies greatly due to non-teacher factors like socio-economic status and home life (Snook et al., 2009). This means that, even to the extent that it is possible to observe the effectiveness of certain teaching behaviors in terms of student achievement, it is difficult to set generalizable benchmarks or standards for student achievement. Thus it is also difficult to make true apples-to-apples comparisons about teaching effectiveness between different educational contexts: due to vast differences between different kinds of students, a notion of what constitutes highly effective teaching in one context may not in another. This difficulty has featured in criticism of certain meta-analyses that have purported to make generalizable claims about what teaching factors produce the biggest effects (Hattie, 2009). A variety of other commentators have also made similar claims about the importance of contextual factors in teaching effectiveness for decades (see, e.g., Bloom et al., 1956; Cashin, 1990; Theall, 2017).

To list a few sources as examples of a larger body of work, you can use the word "see" in the parenthetical, as we've done here.

The studies described above mainly measure teaching effectiveness in terms of academic achievement. It should certainly be noted that these quantifiable measures are not generally regarded as the only outcomes of effective teaching worth pursuing. Qualitative outcomes like increased affinity for learning and greater sense of self-efficacy are also important learning goals. Here, also, local context plays a large role.

### ***SETs: Imperfect Measures of Teaching***

As noted in this paper's introduction, SETs are commonly used to assess teaching performance and inform faculty development efforts. Typically, these take the form of an end-of-term summative evaluation comprised of multiple-choice questions (MCQs) that allow students to rate statements about their teachers on Likert scales. These are often accompanied with short-answer responses which may or may not be optional.

SETs serve important institutional purposes. While commentators have noted that there are crucial aspects of instruction that students are not equipped to judge (Benton & Young, 2018), SETs nevertheless give students a rare institutional voice. They represent an opportunity

to offer anonymous feedback on their teaching experience and potentially address what they deem to be their teacher's successes or failures. Students are also uniquely positioned to offer meaningful feedback on an instructors' teaching because they typically have much more extensive firsthand experience of it than any other educational stakeholder. Even peer observers only witness a small fraction of the instructional sessions during a given semester. Students with perfect attendance, by contrast, witness all of them. Thus, in a certain sense, a student can theoretically assess a teacher's ability more authoritatively than even peer mentors can.

While historical attempts to validate SETs have produced mixed results, some studies have demonstrated their promise. Howard (1985), for instance, finds that SET are significantly more predictive of teaching effectiveness than self-report, peer, and trained-observer assessments. A review of several decades of literature on teaching evaluations (Watchel, 1998) found that a majority of researchers believe SETs to be generally valid and reliable, despite occasional misgivings. This review notes that even scholars who support SETs frequently argue that they alone cannot direct efforts to improve teaching and that multiple avenues of feedback are necessary (L'hommedieu et al., 1990; Seldin, 1993).

Finally, SETs also serve purposes secondary to the ostensible goal of improving instruction that nonetheless matter. They can be used to bolster faculty CVs and assign departmental awards, for instance. SETs can also provide valuable information unrelated to teaching. It would be hard to argue that it not is useful for a teacher to learn, for example, that a student finds the class unbearably boring, or that a student finds the teacher's personality so unpleasant as to hinder her learning. In short, there is real value in understanding students' affective experience of a particular class, even in cases when that value does not necessarily lend itself to firm conclusions about the teacher's professional abilities.

However, a wealth of scholarly research has demonstrated that SETs are prone to fail in certain contexts. A common criticism is that SETs can frequently be confounded by factors



external to the teaching construct. The best introduction to the research that serves as the basis for this claim is probably Neath (1996), who performs something of a meta-analysis by presenting these external confounds in the form of twenty sarcastic suggestions to teaching faculty. Among these are the instructions to “grade leniently,” “administer ratings before tests” (p. 1365), and “not teach required courses” (#11) (p. 1367). Most of Neath’s advice reflects an overriding observation that teaching evaluations tend to document students’ affective feelings toward a class, rather than their teachers’ abilities, even when the evaluations explicitly ask students to judge the latter.

This citation presents quotations from different locations in the original source. Each quotation is followed by the corresponding page number.

Beyond Neath, much of the available research paints a similar picture. For example, a study of over 30,000 economics students concluded that “the poorer the student considered his teacher to be [on an SET], the more economics he understood” (Attiyeh & Lumsden, 1972). A 1998 meta-analysis argued that “there is no evidence that the use of teacher ratings improves learning in the long run” (Armstrong, 1998, p. 1223). A 2010 National Bureau of Economic Research study found that high SET scores for a course’s instructor correlated with “high contemporaneous course achievement,” but “low follow-on achievement” (in other words, the students would tend to do well in the course, but poor in future courses in the same field of study. Others observing this effect have suggested SETs reward a pandering, “soft-ball” teaching style in the initial course (Carrell & West, 2010). More recent research suggests that course topic can have a significant effect on SET scores as well: teachers of “quantitative courses” (i.e., math-focused classes) tend to receive lower evaluations from students than their humanities peers (Uttl & Smibert, 2017).

Several modern SET studies have also demonstrated bias on the basis of gender (Anderson & Miller, 1997; Basow, 1995), physical appearance/sexiness (Ambady & Rosenthal, 1993), and other identity markers that do not affect teaching quality. Gender, in particular, has attracted significant attention. One recent study examined two online classes: one in which instructors identified themselves to students as male, and another in which they identified as

female (regardless of the instructor's actual gender) (Macnell et al., 2015). The classes were identical in structure and content, and the instructors' true identities were concealed from students. The study found that students rated the male identity higher on average. However, a few studies have demonstrated the reverse of the gender bias mentioned above (that is, women received higher scores) (Bachen et al., 1999) while others have registered no gender bias one way or another (Centra & Gaubatz, 2000).

The goal of presenting these criticisms is not necessarily to diminish the institutional importance of SETs. Of course, insofar as institutions value the instruction of their students, it is important that those students have some say in the content and character of that instruction. Rather, the goal here is simply to demonstrate that using SETs for faculty development purposes—much less for personnel decisions—can present problems. It is also to make the case that, despite the abundance of literature on SETs, there is still plenty of room for scholarly attempts to make these instruments more useful.

### ***Empirical Scales and Locally-Relevant Evaluation***

One way to ensure that teaching assessments are more responsive to the demands of teachers' local contexts is to develop those assessments locally, ideally via a process that involves the input of a variety of local stakeholders. Here, writing assessment literature offers a promising path forward: empirical scale development, the process of structuring and calibrating instruments in response to local input and data (e.g., in the context of writing assessment, student writing samples and performance information). This practice contrasts, for instance, with deductive approaches to scale development that attempt to represent predetermined theoretical constructs so that results can be generalized.

Supporters of the empirical process argue that empirical scales have several advantages. They are frequently posited as potential solutions to well-documented reliability and validity issues that can occur with theoretical or intuitive scale development (Brindley, 1998; Turner & Upshur, 1995, 2002). Empirical scales can also help researchers avoid issues caused

by subjective or vaguely-worded standards in other kinds of scales (Brindley, 1998) because they require buy-in from local stakeholders who must agree on these standards based on their understanding of the local context. Fulcher et al. (2011) note the following, for instance:

Measurement-driven scales suffer from descriptive inadequacy. They are not sensitive to the communicative context or the interactional complexities of language use. The level of abstraction is too great, creating a gulf between the score and its meaning. Only with a richer description of contextually based performance, can we strengthen the meaning of the score, and hence the validity of score-based inferences. (pp. 8–9)

There is also some evidence that the branching structure of the EBB scale specifically can allow for more reliable and valid assessments, even if it is typically easier to calibrate and use conventional scales (Hirai & Koizumi, 2013). Finally, scholars have also argued that theory-based approaches to scale development do not always result in instruments that realistically capture ordinary classroom situations (Knoch, 2007, 2009).

The most prevalent criticism of empirical scale development in the literature is that the local, contingent nature of empirical scales basically discards any notion of their results' generalizability. Fulcher (2003), for instance, makes this basic criticism of the EBB scale even as he subsequently argues that "the explicitness of the design methodology for EBBs is impressive, and their usefulness in pedagogic settings is attractive" (p. 107). In the context of this particular paper's aims, there is also the fact that the literature supporting empirical scale development originates in the field of writing assessment, rather than teaching assessment. Moreover, there is little extant research into the applications of empirical scale development for the latter purpose. Thus, there is no guarantee that the benefits of empirical development approaches can be realized in the realm of teaching assessment. There is also no guarantee that they cannot. In taking a tentative step towards a better understanding of how these assessment schema function in a new context, then, the study described in the next section

Quotations longer than 40 words should be formatted as block quotations. Indent the entire passage half an inch and present the passage without quotation marks. Any relevant page numbers should follow the concluding punctuation mark. If the author and/or date are not referenced in the text, as they are here, place them in the parenthetical that follows the quotation along with the page numbers.

When citing multiple sources from the same author(s), simply list the author(s), then list the years of the sources separated by commas.

asks whether the principles that guide some of the most promising practices for assessing students cannot be put to productive use in assessing teachers.

### **Materials and Methods**

This section proposes a pilot study that will compare the ICaP SET to the Heavilon Evaluation of Teacher (HET), an instrument designed to combat the statistical ceiling effect described above. In this section, the format and composition of the HET is described, with special attention paid to its branching scale design. Following this, the procedure for the study is outlined, and planned interpretations of the data are discussed.

#### **The Purdue ICaP SET**

The SET employed by Introductory Composition at Purdue (ICaP) program as of January 2019 serves as an example of many of the prevailing trends in current SET administration. The evaluation is administered digitally: ICaP students receive an invitation to complete the evaluation via email near the end of the semester, and must complete it before finals week (i.e., the week that follows the normal sixteen-week term) for their responses to be counted. The evaluation is entirely optional: teachers may not require their students to complete it, nor may they offer incentives like extra credit as motivation. However, some instructors opt to devote a small amount of in-class time for the evaluations. In these cases, it is common practice for instructors to leave the room so as not to coerce high scores.

The ICaP SET mostly takes the form of a simple multiple-choice survey. Thirty-four MCQs appear on the survey. Of these, the first four relate to demographics: students must indicate their year of instruction, their expected grade, their area of study, and whether they are taking the course as a requirement or as an elective. Following these are two questions related to the overall quality of the course and the instructor (students must rate each from “very poor” to “excellent” on a five-point scale). These are “university core” questions that must appear on every SET administered at Purdue, regardless of school, major, or course. The Students are



Italicize the anchors of scales or responses to scale-like questions, rather than presenting them in quotation marks. Do not italicize numbers if the scale responses are numbered.

also invited to respond to two short-answer prompts: “What specific suggestions do you have for improving the course or the way it is taught?” and “what is something that the professor does well?” Responses to these questions are optional.

The remainder of the MCQs (thirty in total) are chosen from a list of 646 possible questions provided by the Purdue Instructor Course Evaluation Service (PICES) by department administrators. Each of these PICES questions requires students to respond to a statement about the course on a five-point Likert scale. Likert scales are simple scales used to indicate degrees of agreement. In the case of the ICaP SET, students must indicate whether they *strongly agree, agree, disagree, strongly disagree, or are undecided*. These thirty Likert scale questions assess a wide variety of the course and instructor’s qualities. Examples include “My instructor seems well-prepared for class,” “This course helps me analyze my own and other students’ writing,” and “When I have a question or comment I know it will be respected,” for example.

One important consequence of the ICaP SET within the Purdue English department is the Excellence in Teaching Award (which, prior to Fall 2018, was named the Quintilian or, colloquially, “Q” Award). This is a symbolic prize given every semester to graduate instructors who score highly on their evaluations. According to the ICaP site, “ICaP instructors whose teaching evaluations achieve a certain threshold earn [the award], recognizing the top 10% of teaching evaluations at Purdue.” While this description is misleading—the award actually goes to instructors whose SET scores rank in the top decile in the range of possible outcomes, but not necessarily ones who scored better than 90% of other instructors—the award nevertheless provides an opportunity for departmental instructors to distinguish their CVs and teaching portfolios.

Insofar as it is distributed digitally, it is composed of MCQs (plus a few short-answer responses), and it is intended as end-of-term summative assessment, the ICaP SET embodies

the current prevailing trends in university-level SET administration. In this pilot study, it serves as a stand-in for current SET administration practices (as generally conceived).

### The HET

Like the ICaP SET, the HET uses student responses to questions to produce a score that purports to represent their teacher's pedagogical ability. It has a similar number of items (28, as opposed to the ICaP SET's 34). However, despite these superficial similarities, the instrument's structure and content differ substantially from the ICaP SET's.

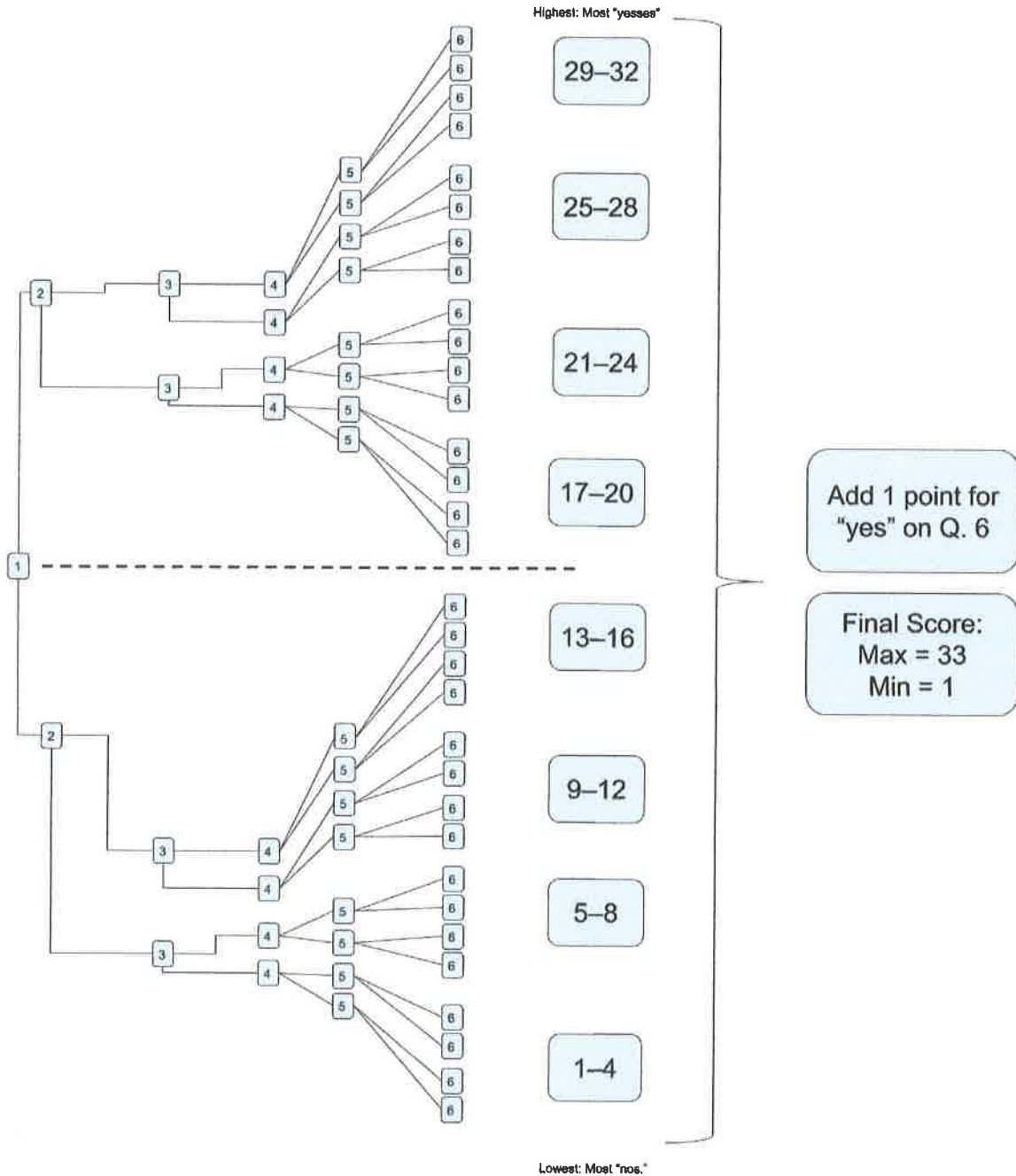
The most notable differences are the construction of the items on the text and the way that responses to these items determine the teacher's final score. Items on the HET do not use the typical Likert scale, but instead prompt students to respond to a question with a simple "yes/no" binary choice. By answering "yes" and "no" to these questions, student responders navigate a branching "tree" map of possibilities whose endpoints correspond to points on a 33-point ordinal scale.

The items on the HET are grouped into six suites according to their relevance to six different aspects of the teaching construct (described below). The suites of questions correspond to directional nodes on the scale—branching paths where an instructor can move either "up" or "down" based on the student's responses. If a student awards a set number of "yes" responses to questions in a given suite (signifying a positive perception of the instructor's teaching), the instructor moves up on the scale. If a student does not award enough "yes" responses, the instructor moves down. Thus, after the student has answered all of the questions, the instructor's "end position" on the branching tree of possibilities corresponds to a point on the 33-point scale. A visualization of this structure is presented in Table 1.

**Figure 1** ←

*Illustration of HET's Branching Structure* ←

Tables and figures are numbered sequentially (i.e., 1, 2, 3 ...). They are identified via a second-level heading (flush-left, bold, and title case) followed by an italic title that briefly describes the content of the table or figure.



*Note.* Each node in this diagram corresponds to a suite of HET/ICALT items, rather than to a single item.

The questions on the HET derive from the International Comparative Analysis of Learning and Teaching (ICALT), an instrument that measures observable teaching behaviors for

Table and figure notes are preceded by the label "Note." written in italics. General notes that apply to the entire table should come before specific notes (indicated with superscripted lowercase letters that correspond to specific locations in the figure or table). Table notes are optional.

the purpose of international pedagogical research within the European Union. The most recent version of the ICALT contains 32 items across six topic domains that correspond to six broad teaching skills. For each item, students rate a statement about the teacher on a four-point Likert scale. The main advantage of using ICALT items in the HET is that they have been independently tested for reliability and validity numerous times over 17 years of development (see, e.g., Van de Grift, 2007). Thus, their results lend themselves to meaningful comparisons between teachers (as well as providing administrators a reasonable level of confidence in their ability to model the teaching construct itself).

The six "suites" of questions on the HET, which correspond to the six topic domains on the ICALT, are presented in Table 1.

**Table 1** ←

*HET Question Suites* ←

Tables are formatted similarly to figures. They are titled and numbered in the same way, and table-following notes are presented the same way as figure-following notes. Use separate sequential numbers for tables and figures. For instance, this table is presented as Table 1 rather than as Table 2, despite the fact that Figure 1 precedes it.

Suite	# of Items	Description
Safe learning environment	4	Whether the teacher is able to maintain positive, nonthreatening relationships with students (and to foster these sorts of relationships <i>among</i> students).
Classroom management	4	Whether the teacher is able to maintain an orderly, predictable environment.
Clear instruction	7	Whether the teacher is able to explain class topics comprehensibly, provide clear sets of goals for assignments, and articulate the connections between the assignments and the class topics in helpful ways.



Suite	# of Items	Description
Activating teaching methods	7	Whether the teacher uses strategies that motivate students to think about the class's topics.
Learning strategies	6	Whether teachers take explicit steps to teach students how to learn (as opposed to merely providing students informational content).
Differentiation	4	Whether teachers can successfully adjust their behavior to meet the diverse learning needs of individual students.

When a table is so long that it stretches across multiple pages, repeat the column labels on each new page. Most word processors have a feature that does this automatically.

*Note.* Item numbers are derived from original ICALT item suites.

The items on the HET are modified from the ICALT items only insofar as they are phrased as binary choices, rather than as invitations to rate the teacher. Usually, this means the addition of the word “does” and a question mark at the end of the sentence. For example, the second *safe learning climate* item on the ICALT is presented as “The teacher maintains a relaxed atmosphere.” On the HET, this item is rephrased as, “Does the teacher maintain a relaxed atmosphere?” See Appendix for additional sample items. ←

As will be discussed below, the ordering of item suites plays a decisive role in the teacher's final score because the branching scale rates earlier suites more powerfully. So too does the “sensitivity” of each suite of items (i.e., the number of positive responses required to progress upward at each branching node). This means that it is important for local stakeholders to participate in the development of the scale. In other words, these stakeholders must be involved in decisions about how to order the item suites and adjust the sensitivity of each node. This is described in more detail below.

Once the scale has been developed, the assessment has been administered, and the teacher's endpoint score has been obtained, the student rater is prompted to offer any textual

In addition to presenting figures and tables in the text, you may also present them in appendices at the end of the document. You may also use appendices to present material that would be distracting or tedious in the body of the paper. In either case, you can use simple in-text references to direct readers to the appendices.

feedback that s/he feels summarizes the course experience, good or bad. Like the short response items in the ICaP SET, this item is optional. The short-response item is as follows:

- What would you say about this instructor, good or bad, to another student considering taking this course?

The final four items are demographic questions. For these, students indicate their grade level, their expected grade for the course, their school/college (e.g., College of Liberal Arts, School of Agriculture, etc.), and whether they are taking the course as an elective or as a degree requirement. These questions are identical to the demographic items on the ICaP SET.

To summarize, the items on the HET are presented as follows:

- Branching binary questions (32 different items; six branches)
  - These questions provide the teacher's numerical score
- Short response prompt (one item)
- Demographic questions (four items)

### Scoring

The main data for this instrument are derived from the endpoints on a branching ordinal scale with 33 points. Because each question is presented as a binary yes/no choice (with "yes" suggesting a better teacher), and because paths on the branching scale are decided in terms of whether the teacher receives all "yes" responses in a given suite, 32 possible outcomes are possible from the first five suites of items. For example, the worst possible outcome would be five successive "down" branches, the second-worst possible outcome would be four "down" branches followed by an "up," and so on. The sixth suite is a tie-breaker: instructors receive a single additional point if they receive all "yes" responses on this suite.

By positioning certain suites of items early in the branching sequence, the HET gives them more weight. For example, the first suite is the most important of all: an "up" here automatically places the teacher above 16 on the scale, while a "down" precludes all scores

**Note:** For the sake of brevity, the next few pages of the original paper were cut from this sample document.

Start the references list on a new page. The word "References" (or "Reference," if there is only one source), should appear bolded and centered at the top of the page. Reference entries should follow in alphabetical order. There should be a reference entry for every source cited in the text.

Note that sources in online academic publications like scholarly journals now require DOIs or stable URLs if they are available.

Source with two authors.

## References

Ambady, N., & Rosenthal, R. (1993). Half a minute: Predicting teacher evaluations from thin slices of nonverbal behavior and physical attractiveness. *Journal of Personality and Social Psychology*, 64(3), 431–441. <http://dx.doi.org/10.1037/0022-3514.64.3.431>

Source with organizational author.

American Association of University Professors. (n.d.). Background facts on contingent faculty positions. <https://www.aaup.org/issues/contingency/background-facts>

American Association of University Professors. (2018, October 11). Data snapshot: Contingent faculty in US higher ed. *AAUP Updates*. <https://www.aaup.org/news/data-snapshot-contingent-faculty-us-higher-ed#.Xfpdmy2ZNR4>

Anderson, K., & Miller, E. D. (1997). Gender and student evaluations of teaching. *PS: Political Science and Politics*, 30(2), 216–219. <https://doi.org/10.2307/420499>

Armstrong, J. S. (1998). Are student ratings of instruction useful? *American Psychologist*, 53(11), 1223–1224. <http://dx.doi.org/10.1037/0003-066X.53.11.1223>

Attiyeh, R., & Lumsden, K. G. (1972). Some modern myths in teaching economics: The U.K. experience. *American Economic Review*, 62(1), 429–443. <https://www.jstor.org/stable/1821578>

Bachen, C. M., McLoughlin, M. M., & Garcia, S. S. (1999). Assessing the role of gender in college students' evaluations of faculty. *Communication Education*, 48(3), 193–210. <http://doi.org/cqcggr>

Shortened DOI.

Basow, S. A. (1995). Student evaluations of college professors: When gender matters. *Journal of Educational Psychology*, 87(4), 656–665. <http://dx.doi.org/10.1037/0022-0663.87.4.656>

Becker, W. (2000). Teaching economics in the 21st century. *Journal of Economic Perspectives*, 14(1), 109–120. <http://dx.doi.org/10.1257/jep.14.1.109>

Benton, S., & Young, S. (2018). Best practices in the evaluation of teaching. *Idea paper*, 69.

All citation entries should be double-spaced. After the first line of each entry, every following line should be indented a half inch (this is called a "hanging indent").

Berk, R. A. (2005). Survey of 12 strategies to measure teaching effectiveness. *International Journal of Teaching and Learning in Higher Education*, 17(1), 48–62.

Print book.

Bloom, B. S., Englehart, M. D., Furst, E. J., Hill, W. H., & Krathwohl, D. R. (1956). *Taxonomy of educational objectives: The classification of educational goals*. Addison-Wesley Longman Ltd.

Brandenburg, D., Slinde, C., & Batista, J. (1977). Student ratings of instruction: Validity and normative interpretations. *Research in Higher Education*, 7(1), 67–78.

<http://dx.doi.org/10.1007/BF00991945>

Carrell, S., & West, J. (2010). Does professor quality matter? Evidence from random assignment of students to professors. *Journal of Political Economy*, 118(3), 409–432.

<https://doi.org/10.1086/653808>

Cashin, W. E. (1990). Students do rate different academic fields differently. In M. Theall, & J. L. Franklin (Eds.), *Student ratings of instruction: Issues for improving practice*. *New Directions for Teaching and Learning* (pp. 113–121).

Chapter in an edited collection.

Centra, J., & Gaubatz, N. (2000). Is there gender bias in student evaluations of teaching? *The Journal of Higher Education*, 71(1), 17–33.

<https://doi.org/10.1080/00221546.2000.11780814>

Second edition of a print book.

Davis, B. G. (2009). *Tools for teaching* (2nd ed.). Jossey-Bass.

Denton, D. (2013). Responding to edTPA: Transforming practice or applying shortcuts? *AILACTE Journal*, 10(1), 19–36.

Academic article for which a DOI was unavailable.

Dizney, H., & Brickell, J. (1984). Effects of administrative scheduling and directions upon student ratings of instruction. *Contemporary Educational Psychology*, 9(1), 1–7.

[https://doi.org/10.1016/0361-476X\(84\)90001-8](https://doi.org/10.1016/0361-476X(84)90001-8)

DuCette, J., & Kenney, J. (1982). Do grading standards affect student evaluations of teaching? Some new evidence on an old question. *Journal of Educational Psychology*, 74(3), 308–

314. <https://doi.org/10.1037/0022-0663.74.3.308>



- Edwards, J. E., & Waters, L. K. (1984). Halo and leniency control in ratings as influenced by format, training, and rater characteristic differences. *Managerial Psychology*, 5(1), 1–16.
- Fink, L. D. (2013). The current status of faculty development internationally. *International Journal for the Scholarship of Teaching and Learning*, 7(2).  
<https://doi.org/10.20429/ijstol.2013.070204>
- Fulcher, G. (2003). *Testing second language speaking*. Pearson Education.
- Fulcher, G., Davidson, F., & Kemp, J. (2011). Effective rating scale development for speaking tests: Performance decision trees. *Language Testing*, 28(1), 5–29.  
<https://doi.org/10.1177/0265532209359514>
- Gaff, J. G., & Simpson, R. D. (1994). Faculty development in the United States. *Innovative Higher Education*, 18(3), 167–76. <https://doi.org/10.1007/BF01191111>
- Hattie, J. (2008). *Visible learning: A synthesis of over 800 meta-analyses relating to achievement*. Routledge.
- Hoffman, R. A. (1983). Grade inflation and student evaluations of college courses. *Educational and Psychological Research*, 3(3), 51–160. <https://doi.org/10.1023/A:101557981>
- Howard, G., Conway, C., & Maxwell, S. (1985). Construct validity of measures of college teaching effectiveness. *Journal of Educational Psychology*, 77(2), 187–96.  
<http://dx.doi.org/10.1037/0022-0663.77.2.187>
- Kane, M. T. (2013) Validating interpretations and uses of test scores. *Journal of Educational Measurement*, 50(1), 1–73.
- Kelley, T. (1927) *Interpretation of educational measurements*. World Book Co.
- Knoch, U. (2007). Do empirically developed rating scales function differently to conventional rating scales for academic writing? *Spain Fellow Working Papers in Second or Foreign Language Assessment*, 5, 1–36. English Language Institute, University of Michigan.
- Knoch, U. (2009). Diagnostic assessment of writing: A comparison of two rating scales. *Language Testing*, 26(2), 275-304.

**Note:** For the sake of brevity, the next few pages of the original paper were cut from this sample document.

## Appendix

### *Sample ICALT Items Rephrased for HET*

Appendices begin after the references list. The word "Appendix" should appear at the top of the page, bolded and centered. If there are multiple appendices, label them with capital letters (e.g., Appendix A, Appendix B, and Appendix C). Start each appendix on a new page.

Suite	Sample ICALT Item	HET Phrasing
Safe learning environment	The teacher promotes mutual respect.	Does the teacher promote mutual respect?
Classroom management	The teacher uses learning time efficiently.	Does the teacher use learning time efficiently?
Clear instruction	The teacher gives feedback to pupils.	Does the teacher give feedback to pupils?
Activating teaching methods	The teacher provides interactive instruction and activities.	Does the teacher provide interactive instruction and activities?
Learning strategies	The teacher provides interactive instruction and activities.	Does the teacher provide interactive instruction and activities?
Differentiation	The teacher adapts the instruction to the relevant differences between pupils.	Does the teacher adapt the instruction to the relevant differences between pupils?

Paragraphs of text can also appear in appendices. If they do, paragraphs should be indented normally, as they are in the body of the paper.

If an appendix contains only a single table or figure, as this one does, the centered and bolded "Appendix" replaces the centered and bolded label that normally accompanies a table or figure.

If the appendix contains **both** text **and** tables or figures, the tables or figures should be labeled, and these labels should include the letter of the appendix in the label. For example, if Appendix A contains two tables and one figure, they should be labeled "Table A1," "Table A2," and "Figure A1." A table that follows in Appendix B should be labeled "Table B1." If there is only one appendix, use the letter "A" in table/figure labels: "Table A1," "Table A2," and so on.